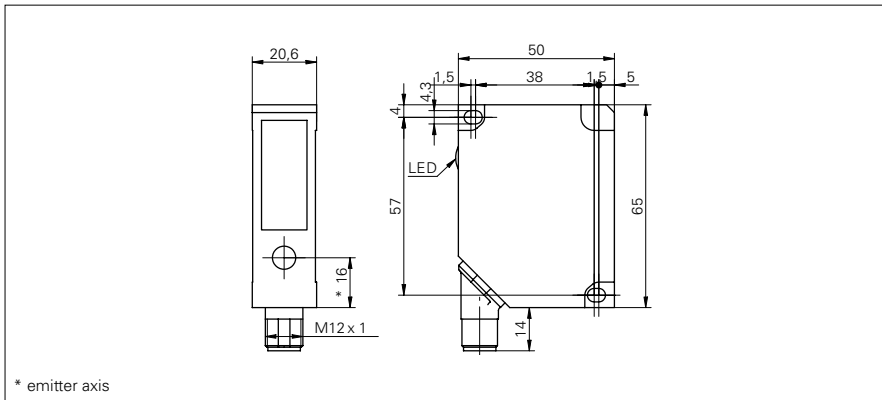


## Distance sensors

## OADM 20 (Laser, fixed sensing range, &lt; 250 mm)

## sample drawing



## general data

sensing element	photoelectric array
adjustment	no
power on indication	LED green
soiled lens indicator	LED red / LED red blinking
light source	pulsed red laser diode
wave length	675 nm
laser class	2

## measuring distance Sd30 ... 50 mm

resolution	< 0,01 mm
linearity error	$\pm 0,03$ mm

## measuring distance Sd30 ... 130 mm

resolution	< 0,06 mm
linearity error	$\pm 0,2$ mm

## measuring distance Sd50 ... 250 mm

resolution	< 0,3 mm
linearity error	$\pm 0,9$ mm

## electrical data

response time / release time	< 10 ms
voltage supply range +Vs	12 ... 28 VDC
current consumption max.	120 mA
output circuit	analog
output signal	4 ... 20 mA / 0 ... 10 VDC
load resistance (analog I)	< $(+Vs - 6 V) / 0,02 A$
load resistance (analog U)	> 100 kOhm
output current	< 100 mA
alarm output	PNP
short circuit protection	yes
reverse polarity protection	yes, Vs to GND

## mechanical data

width / diameter	20,6 mm
height / length	65 mm
depth	50 mm
housing material	die-cast zinc
front (optics)	glass
connection types	connector M12, 5 pin, rotatable

## sample picture



## Distance sensors

## OADM 20 (Laser, fixed sensing range, &lt; 250 mm)

**ambient conditions**

operating temperature 0 ... +50 °C

protection class IP 67

order reference	measuring distance Sd	beam type	beam width	beam height	beam diameter
<b>OADM 2014440/S14C</b>	30 ... 50 mm	point	-	-	1 ... 0,4 mm
<b>OADM 2014460/S14C</b>	30 ... 130 mm	point	-	-	2 ... 1 mm
<b>OADM 2014470/S14C</b>	50 ... 250 mm	point	-	-	2 mm
<b>OADM 2014540/S14C</b>	30 ... 50 mm	line	1 ... 0,4 mm	2 mm	-
<b>OADM 2014560/S14C</b>	30 ... 130 mm	line	2 ... 1 mm	3 ... 5 mm	-
<b>OADM 2014570/S14C</b>	50 ... 250 mm	line	2,5 mm	4 ... 10 mm	-