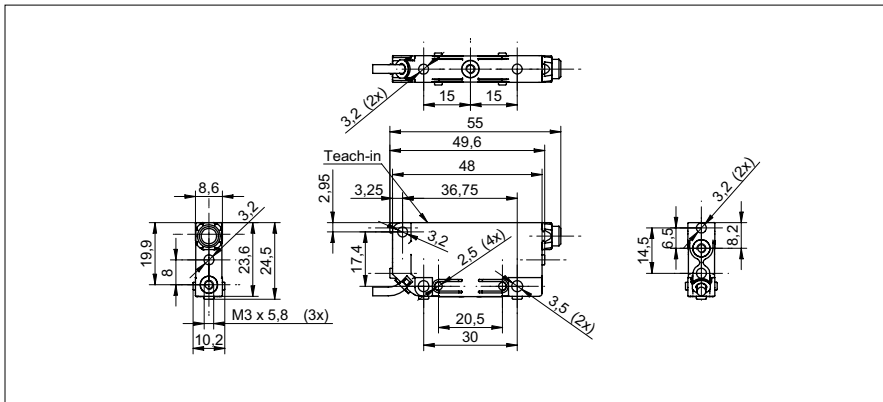


## Ultrasonic distance measuring sensors

### UNCK 09

#### sample drawing



#### general data

scanning range sd	30 ... 200 mm
scanning range close limit Sdc	30 ... 200 mm
scanning range far limit Sde	30 ... 200 mm
repeat accuracy	< 0,5 mm
resolution	< 0,3 mm
adjustment	Teach-in
sonic frequency	380 kHz
response time ton	< 35 ms
release time toff	< 35 ms
alignment aid	target indication flashing
light indicator	yellow LED / red LED
temperature drift	< 2 % of distance to target So

#### electrical data

voltage supply range +Vs	15 ... 30 VDC
current consumption max.	40 mA
output circuit	voltage output
output signal	0 ... 10 V / 10 ... 0 V
output current	< 20 mA
residual ripple	< 10 % Vs
short circuit protection	yes
reverse polarity protection	yes

#### mechanical data

type	rectangular
housing material	PA 12
width / diameter	8,6 mm
height / length	55 mm
depth	24,5 mm

#### ambient conditions

operating temperature	0 ... +60 °C
protection class	IP 67

#### order reference

**UNCK 09U6914**

**UNCK 09U6914/KS35A**

#### connection types

cable PUR 4 x 0,08, 2 m

flylead connector M8, L=200 mm

#### sample picture

