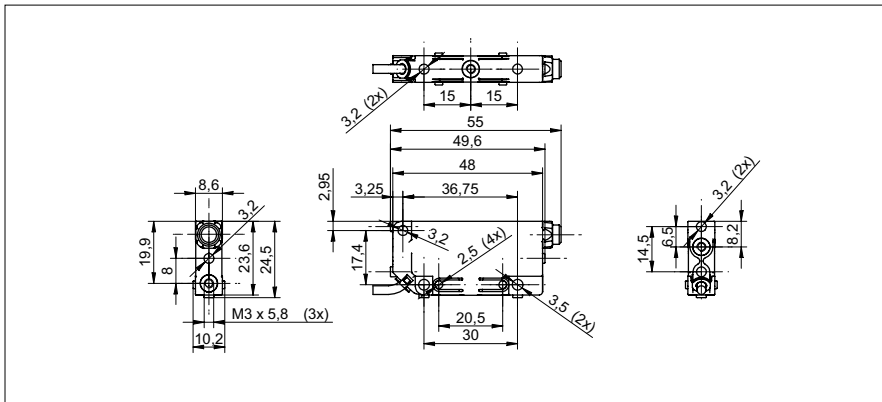


Ultrasonic distance measuring sensors

UNCK 09 (RS232)

sample drawing



general data

scanning range sd	30 ... 200 mm
scanning range close limit Sdc	30 ... 200 mm
scanning range far limit Sde	30 ... 200 mm
repeat accuracy	< 0,5 mm
repeat accuracy (filter active)	< 0,1 mm
resolution	< 0,3 mm
resolution (filter active)	< 0,1 mm
sonic frequency	380 kHz
response time ton	< 7 ms
alignment aid	target indication flashing
light indicator	yellow LED / red LED
temperature drift	< 2 % of distance to target So

electrical data

voltage supply range +Vs	15 ... 30 VDC
current consumption max.	40 mA
output circuit	RS 232
baud rate	115200
residual ripple	< 10 % Vs
short circuit protection	yes
reverse polarity protection	yes

mechanical data

type	rectangular
housing material	PA 12
width / diameter	8,6 mm
height / length	55 mm
depth	24,5 mm

ambient conditions

operating temperature	0 ... +60 °C
protection class	IP 67

order reference

UNCK 09T9114

UNCK 09T9114/KS35A

connection types

cable PUR 4 x 0,08, 2 m

flylead connector M8, L=200 mm

sample picture

