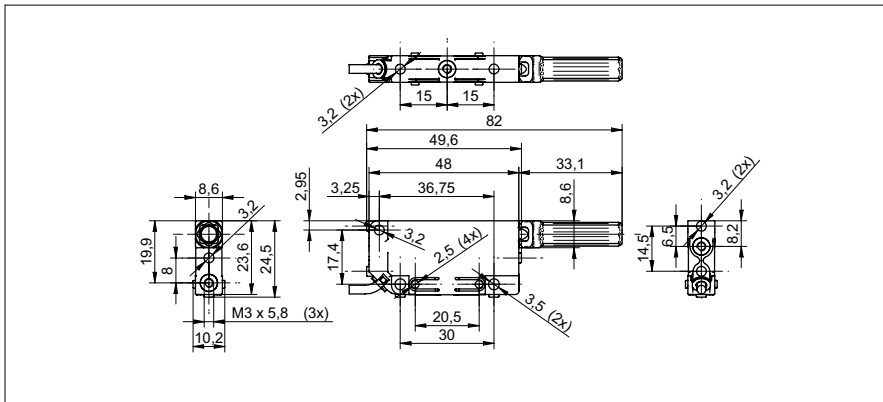


Ultrasonic distance measuring sensors UNCK 09 (with beam columnator, RS232)

sample drawing



general data

scanning range sd	3 ... 150 mm
scanning range close limit Sdc	3 ... 150 mm
scanning range far limit Sde	3 ... 150 mm
repeat accuracy	< 0,5 mm
repeat accuracy (filter active)	< 0,1 mm
resolution	< 0,3 mm
resolution (filter active)	< 0,1 mm
sonic frequency	380 kHz
response time ton	< 7 ms
alignment aid	target indication flashing
light indicator	yellow LED / red LED
temperature drift	< 2 % of distance to target So

electrical data

voltage supply range +Vs	15 ... 30 VDC
current consumption max.	40 mA
output circuit	RS 232
baud rate	115200
residual ripple	< 10 % Vs
short circuit protection	yes
reverse polarity protection	yes

mechanical data

type	rectangular
housing material	PA 12
material (beam columnator)	POM
width / diameter	8,6 mm
height / length	82 mm
depth	24,5 mm

ambient conditions

operating temperature	0 ... +60 °C
protection class	IP 67

order reference

UNCK 09T9114/D1

UNCK 09T9114/KS35AD1

connection types

cable PUR 4 x 0,08, 2 m

flylead connector M8, L=200 mm

sample picture

